



BALDER Stand-up

Name:		Size	
First name:		Weight	
Adress:		Date:	
Zip code:		Salesman:	
City:		Cell phone:	
Tel.:			
Fax:		Diagnosis:	
E-mail:		Contact from:	
B-Day:		Signature:	
Insured by:			
Quote to:			

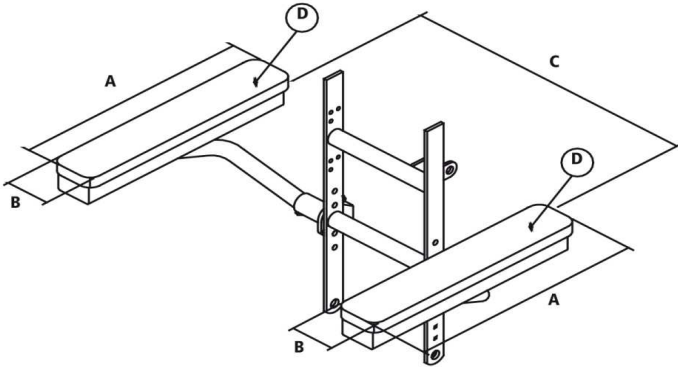
Model	Description	X	Price
BA20071000S	Balder Finesse Stand-up Base Code: KO861		8.650,00
hp1240	different colour covers (Red, Blue, Teal Green)		
BA1092401	Multi Seat Function Control Unit Code: E2311	x	2.650,00
hp10924	Joystick, G90A Code: E2399		1.478,00
hp10925	Joystick, G90T (Toggle switches) Code: E2399		1.478,00
hp20071073	Joystick fastner swing away G90A/T Code: E1028		292,00
	mounted left hand side		
	mounted right hand side		
hp1220030	2 Batteries Code: E2361		528,00
hp20071014stand	Powered tilt function 15/80 degrees Balder F/L/J Code: E1002		5.995,00
hp20071009	Powered Recline Balder F/L/J Code: E1004		7.350,00
BA20071016	Power Stand function Code: E2301		4.627,00
BA20071050a	Power Elevating Leg Rest Code: E1010		2.395,00
BA20071051	Power Telescoping Leg Rest 4" travel Code: E1028		1.899,00
BA20071052	Power Telescoping Leg Rest 6" travel Code: E1028		1.899,00
BA20071053	Power Telescoping Leg Rest 8" travel Code: E1028		1.899,00
	including two single footplates and calf pads		
hp20071058	Single foot platform Code: K0042		249,00
hp20071315	Wheels for footrests Code: K0108		160,00
	Comfort Back		
BA20071195	Comfort 1 Back incl. Cushion: W=15 3/4, H=17 1/4 Code:E2620		395,00
BA20071196	Comfort 2 Back incl. Cushion: W=15 3/4, H=18 Code:E2620		395,00
BA20071197	Comfort 3 Back incl. Cushion: W=16 1/2, H=19 1/4 Code:E2620		395,00
BA20071198	Comfort 4 Back incl. Cushion: W=17 1/4, H= 21 1/4 Code:E2620		395,00
BA20071199	Comfort 5 Back incl. Cushion: W=18, H=22 3/4 Code:E2620		395,00
BA20071200	Comfort 6 Back incl. Cushion: W=19, H=24 1/4 Code:E2620		395,00
BA20071207	Custom Deep Contour Back Cushion, Comf. 1 Code: E2617		495,00
BA20071208	Custom Deep Contour Back Cushion, Comf. 2 Code: E2617		495,00
BA20071209	Custom Deep Contour Back Cushion, Comf. 3 Code: E2617		495,00
BA20071210	Custom Deep Contour Back Cushion, Comf. 4 Code: E2617		495,00
BA20071211	Custom Deep Contour Back Cushion, Comf. 5 Code: E2617		495,00
BA20071212	Custom Deep Contour Back Cushion, Comf. 6 Code: E2617		495,00
	Custom Back Measures: (provide measurement) Code: E2617		395,00



	Comfort seat		
BA20071152	Comfort 1 Seat incl. Cushion: W=15 3/4, D=15 3/4	Code: E2601	345,00
BA20071153	Comfort 2 Seat incl. Cushion: W=15 3/4, D=16 3/4	Code: E2601	345,00
BA20071154	Comfort 3 Seat incl. Cushion: W=16 1/2, D=17 3/4	Code: E2601	345,00
BA20071155	Comfort 4 Seat incl. Cushion: W=17 1/4, D=18 3/4	Code: E2601	345,00
BA20071156	Comfort 5 Seat incl. Cushion: W=18, D=19 3/4	Code: E2601	345,00
BA20071157	Comfort 6 Seat incl. Cushion: W=19, D=20 3/4	Code: E2601	345,00
BA20071164	Custom Deep Contour Seat Cushion, Comf.1	Code: E2609	495,00
BA20071165	Custom Deep Contour Seat Cushion, Comf.2	Code: E2609	495,00
BA20071166	Custom Deep Contour Seat Cushion, Comf.3	Code: E2609	495,00
BA20071167	Custom Deep Contour Seat Cushion, Comf.4	Code: E2609	495,00
BA20071168	Custom Deep Contour Seat Cushion, Comf.5	Code: E2609	495,00
BA20071169	Custom Deep Contour Seat Cushion, Comf.6	Code: E2609	495,00
	Custom Seat Measures: (provide measurement)	Code: E2609	345,00
	Cloth Fabric	Code: E2609	345,00
	Leather Color	Code: E2609	
hp20071304	Seat hard plate adjustable; W=15 -16 1/2, D= 15 - 17 3/4		438,00
hp20071305	Seat hard plate adjustable; W=16 1/2 - 17 3/4, D=17 3/4 - 20 1/2		438,00
		Seat Plate Code: K0108	
hp20071146	Removable Head Rest Bracket	Code: E1028	212,00
hp20071147	Head rest big pad	Code: E0955	378,00
hp20071148	Head rest small pad	Code: E0955	378,00
BA20071040	Armrest, flip up, height adjustable Comfort 1-2	Code: E0973	375,00
BA20071041	Armrest, flip up, height adjustable Comfort 3-4	Code: E0973	375,00
BA20071042	Armrest, flip up, height adjustable Comfort 5-6	Code: E0973	375,00
	Choose armrest pad length		
	11" Length	Code: K0019	
	14" Length	Code: K0019	
	17" Length	Code: K0019	
	Special Drive Controls		
BA20071069	Attendant Control Unit		1.958,00
hp20071062	Sip & Puff		4.698,00
hp20071063	Chin Control		4.698,00
hp20071064	Head Control		4.698,00
	Accessories		
hp20071094	Lights front, rear Balder	Code: K0108	390,00
hp20071095	Lights front, rear with indicators Balder	Code: K0108	390,00
hp20071145	Pushhandle seat back Balder	Code: E1028	606,00
hp20071101	Retractable Seat Belt Auto	Code: E1028	185,00
hp20071106	Chest Strap (Velcro)	Code: E0960	62,00
hp20071083	Tray swingaside right Comfort 1-2, width 21 1/4"	Code: E0950	598,00
hp20071084	Tray swingaside left Comfort 1-2, width 21 1/4"	Code: E0950	598,00
hp20071085	Tray swingaside right Comfort 3-4, width 23 1/4"	Code: E0950	598,00
hp20071086	Tray swingaside left Comfort 3-4, width 23 1/4"	Code: E0950	598,00
hp20071087	Tray swingaside right Comfort 5-6, width 24 3/4"	Code: E0950	598,00
hp20071088	Tray swingaside left Comfort 5-6, width 24 3/4"	Code: E0950	598,00
hp20071081	Tray swingaside small right	Code: E0950	498,00
hp20071082	Tray swingaside small left	Code: E0950	498,00
hp20071118	Lateral Supports (4" & 6")	Code: E0956	166,00
hp200711171	Adjustable/Removable Lateral Support Hardware	Code: E1028	224,00
hp20071125	Knee & Hip Support (Adjustable Hardware)	Code: E1028	342,00
hp200711251	Knee & Hip Support Pads (4" & 6")	Code: E1028	166,00
hp20071080	Clamp down unit, undercarriage for car seat		850,00
BA20071075	Balder Docking Unit incl. Spigot		2.693,00
hp20071076	Spigot for clamp down unit	(TYPE IN AMOUNT)	650,00
hp20071079	EZ-Lock for wheelchair		1.693,00
hp20071143	Ventilator tray, W: 11 3/4", D: 9 3/4"	Code: E1029	650,00

Order number / Commission

Armrests left/right



Pos	Comfort 1-2	Comfort 3-4	Comfort 5-6	Different measurement
A	300 (11 3/4")	375 (14 3/4")	450 (17 3/4")	
B	75 (3")	75 (3")	75 (3")	
C	400 (15 3/4")	440 (17 1/4")	480 (19")	
D	Rubber	Rubber	Rubber	

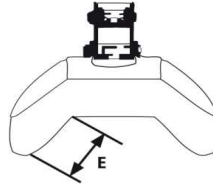
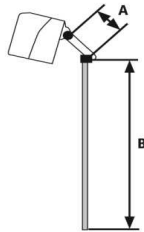
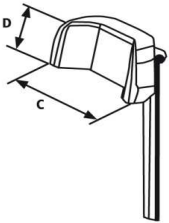
Placing of armrest pipes	From seatframe	
	Std.	height adj.
1	<input type="checkbox"/>	10 1/2" 7 1/2" - 11 1/2"
2	<input type="checkbox"/>	11 1/2" 8 1/2" - 12 1/2"
3	<input type="checkbox"/>	12 1/2" 9 1/2" - 13 1/2"
4	<input type="checkbox"/>	13 1/2" 10 1/2" - 14 1/2"
5	<input type="checkbox"/>	14 1/4" 11 1/2" - 15 1/2"

Note! Armrests are mounted in hole 3 at Comfort 3-6. At Comfort 1-2 in hole 2. With non stander armrest are following the seat, with Stand-up armrests follow the back rest.

Notes:

Order number / Kommission

Head rest

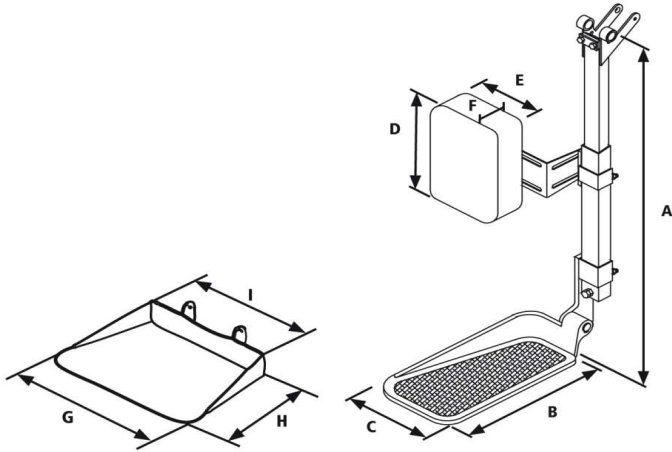


	Comfort 1-3		Confort 4-6	special measurement
A	60 (2 1/2")	A	75* (3")	
B	340 (13 1/2")	B	220 (8 3/4")	
C	180 (7")	C	230 (9")	
D	90 (3 1/2")	D	110 (4 1/2")	
E	60 (2 1/2")	E	75* (3")	

Notes:

Order number / Kommission

electrical footrests



A: Measure with 90° angle

can be shortened by 5cm
by removing calf pads

Footrests with electric length comp.

20071051: 4" Stroke A: 11" - 20 1/2"

20071052: 6" Stroke A: 13" - 22 1/2"

20071053: 8" Stroke A: 15" - 24 1/2"

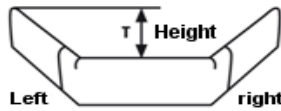
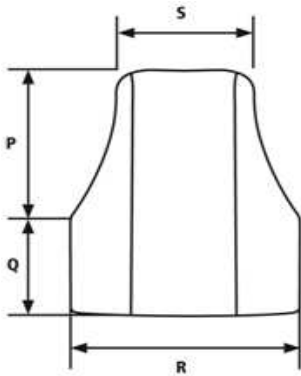
Standard Measurement	Needed Measurement	Notes
A (12" - 17 3/4") *	A	
B 8 3/4"	B	
C 6" (Tip)	C	
D 9"	D	
E 5 1/2"	E	
F 1 1/2" (cupular)	F	
G 13 1/2" (Tip)	G	
H 8 3/4"	H	
I 10 1/4"	I	

Notes:

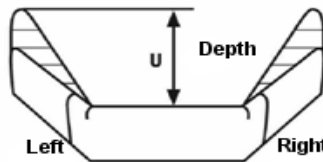
Order number / Kommission

Back rest

Standard cushion



Back cushion with big side members



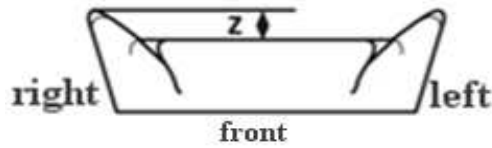
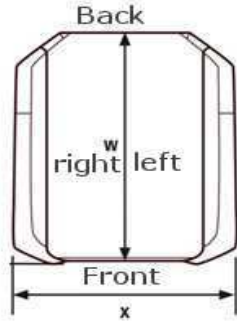
Back							
Cross out:						x	
	Comfort 1	Comfort 2	Comfort 3	Comfort 4	Comfort 5	Comfort 6	Special measurement
P	11"	11 1/2"	12"	12 3/4"	13 3/4"	14 1/2"	
Q	6 1/4"	6 3/4"	7 1/4"	8 1/4"	9"	9 3/4"	
R	15 3/4"	15 3/4"	16 1/2"	17 1/4"	18"	19"	
S	10 1/2"	10 1/2"	11 1/2"	12 1/4"	13"	13 1/2"	
T	2"	2"	2"	2"	2"	2"	
U	4 1/4"	4 1/4"	4 1/4"	4 1/4"	4 1/4"	4 1/4"	
Total Height (P+Q)	17 1/4"	18"	19 1/4"	21 1/4"	22 3/4"	24 1/4"	
Length of Tilt bar	4 6/16"	5 3/16"	6"	6 14/16"	7 14/16"	8 3/4"	

Notes:

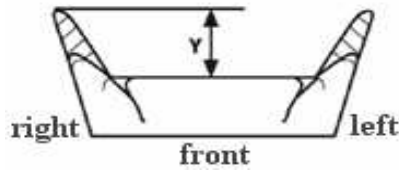
Order number / Kommission

Seat

Standard Cushion



Cushion with deep contour



Seat							
Choose one:	x						
	Comfort 1	Comfort 2	Comfort 3	Comfort 4	Comfort 5	Comfort 6	Special measurement
effective Seat depth	15 3/4"	16 3/4"	17 3/4"	18 3/4"	19 3/4"	20 3/4"	
W	16 3/4"	17 3/4"	18 3/4"	19 3/4"	20 3/4"	21 1/4"	
X	15 3/4"	15 3/4"	16 1/2"	17 1/4"	18"	19"	
Z	3/4"	3/4"	3/4"	3/4"	3/4"	3/4"	
Y	2 3/4"	2 3/4"	2 3/4"	2 3/4"	2 3/4"	2 3/4"	

Notes: