

BAIDER

etac®



Balder

Power wheelchairs



Balder power wheelchairs let you reach a little higher

A power wheelchair has to fulfill many needs. It must be able to move quickly and easily, both outside and indoors. It must be convenient and safe. And above all, it must provide its user with freedom and independence. Balder power wheelchairs give their users all of this.

There are three models in the series. Balder Finesse and Junior are front-wheel driven power wheelchairs, which also come with a standing function option. Balder Liberty is a rear-wheel driven power wheelchair designed for rugged outdoor use with no compromises in comfort or functionality. All models have the unique seat lift that gives a whole new meaning to the expression “freedom of movement.”

So why compromise? Balder power wheelchairs let you reach a little higher.

Contents

	Page
Introduction	4
Balder with standup function	6
Balder in your car	8
Balder Finesse	10
Balder Junior	12
Balder Liberty	14
Options	16
Accessories	20
Technical facts	21



Balder was born in Norway

The Norwegian company Hand-Pro, outside of Oslo, started by adapting cars for wheelchair users already 20 years ago. They soon found that there was no powered wheelchair on the market suitable for usage in cars. They decided to develop a new powered wheelchair and in 1989 their first power chair, “Balder B” was born.

The design was revolutionary, enabling the seat to go lower and higher than all other models. Since the Balder B, new ranges of models have been developed. In combination with nice, modern design, excellent quality and advanced functions, Balder of today is one of the most advanced powered wheelchairs on the market. This is why Balder will fit any need of any user in the world!



A chair as unique as you are

Balder is known for having an extensive range of standard solutions. It is suitable in cars and has the ability to solve complicated matters that requires special adaptations. All the special modifications and accessories will give you both greater freedom and independence.

When it comes to comfort, quality and versatility, nothing comes close to a Balder.



-15° to +45°

General functions

- Seat lift 34–78 cm / 13.5–30.7"
- Tilt-in-space -15°– +45°
(standup function -15°– +15°)
- Adjustable backrest angle 90–180°
- Adjustable footrest angle 85–180°
- Adjustable footrest length

Lean back

The tilt can be set from -15° to +45°. It feels good to change position, and take the pressure off the back and neck.



Relax

The back of the chair can be adjusted back 90°. Users can then stretch their joints, and at the same time, relieve the load on their whole body.

Reach a little higher

Seat height adjustment gives the user freedom of movement.

78 cm
/ 30.7"

34 cm
/ 13.5"





Balder with standup function

Reach farther and achieve more

Realising your potential is not always easy, but the sense of achievement when you accomplish something new cannot be matched.

Balder with standup function lets you enjoy the truly liberating experience of being able to engage with people in a standing position and take part in activities you never thought possible.

Stand up and feel free

Being able to stand increases a user's freedom and flexibility. In addition to the social aspects, being able to stretch joints and muscles contributes to better health. Standing also improves breathing, blood circulation and digestion.

The Balder with standing function option has all the adjustability of the basic model. The standing position can be achieved from any position and it enables the user to drive safely while standing, confident to remain stable.

Balder with standup function is available for both adults and children.



Being able to stand provides self-confidence to explore the surroundings, which is important for every child.



Rising above all power chairs, the Balder with standup function will take you from sitting to upright position with a stop/start movement that you control.





Balder in your car

Complete driving independence

To live a life as full as possible, you may want to be able to go out in an adapted vehicle. New horizons are ready to be explored in the knowledge that your vehicle has been adapted to meet your exact needs.

With Balder, your choice of destination is endless. Where would you go?

Drive with peace of mind

Unique to Finesse and Liberty power chairs, the Balder Clamp Down System uses the power of the chair to operate a securing mechanism, locking it onto a static spigot on the floor of the vehicle. This spigot is easy to install and does not need any additional electrics or wiring.

Switching back to the original vehicle seat is no problem, as all you need is a Balder Undercarriage System and the seat can be easily refitted.

Whether you are driving the vehicle or travelling as a passenger, the Balder Clamp Down System will make you feel safe and secure.

Available in manual and automatic versions, this effective solution is remarkably simple. Combine this simplicity with the outstanding manoeuvrability of a Finesse or Liberty powerchair and there is no doubt that Balder can take you farther in so many ways.



When you are driving without assistants, you need peace of mind that all the functions meet your exact requirement. With Balder they will.



The Balder Clamp Down System gives you a remarkable solution to travel in a vehicle.



The car lock is flexible, safe and easily installed. Docking in a single click. It can also be attached to the passenger seat.



Balder Finesse

For those who want to reach farther

The Balder Finesse is a front-wheel driven power wheelchair for daily use in all situations. As well as enabling you to stand, Balder Finesse will raise and lower you while sitting or lying. In addition, you can tilt forward and back, giving you a greater range of positions to make everyday life so much easier.

Seat lift provides maximum range of movement

Balder Finesse is flexible and simple to control indoors, and easily clears obstacles on streets or in parks.

Thanks to the unique seat lift, you can both reach objects on high shelves and slide your legs under the table when eating. At the same time, the many settings and the modular system makes this a power wheelchair that can be adjusted perfectly to every user's needs. In short, the Balder Finesse combines maximum functionality with the highest level of comfort.

Stand with Finesse

The Balder Finesse with standing function option has all the adjustability of the basic model, and also enables the user to drive while standing.



The Balder Finesse's low seat makes it easy to slide your legs under the table.



- Seat height adjustment range: 34–78 cm/ 13.5–30.7"
- Lift and tilt functions with variable settings
- Easy to maneuver
- Simple car-docking system
- Full driveability with standing function option
- Adjustable with several seat and back cushions



Balder Junior

Expands your child's horizons

Childhood years are so important, a time when your child begins to make decisions on his or her own and starts to discover who they really are.

The Balder Junior is a complete power wheelchair, made especially for children. It will grow with your child, giving more independence and providing greater confidence when facing new challenges.

Seat lift provides maximum range of movement

With all the benefits of the Balder Finesse, Balder Junior will allow your child to accompany their friends on exciting adventures, both indoors and outdoors.

The unique seat lift helps your child reach high and sit low. Back adjustment and tilt settings can provide a relaxing rest after a long day at play. At the same time, the modular system means that each electric wheelchair can be perfectly adapted to the needs of each child.



Stand with Junior

The Balder Junior has the same chassis as the Balder Finesse and is also available with standing function option. The only difference between the models is the seat unit.



The seat can be lowered all the way down to 34 cm / 13.5".



- Seat height adjustment range: 34–78 cm / 13.5–30.7"
- Easy to maneuver
- Lift and tilt functions with variable settings
- Simple car-docking system
- Adjustable with several seat and back cushions



Balder Liberty

For maximum freedom

If you enjoy spending time outdoors, you may prefer the power and speed of a rear wheel drive powerchair.

With Balder Liberty, you don't have to compromise on comfort and functionality settings. It is designed to suit every style of living, and will not disappoint.

Drive with more liberty

The Balder Liberty is a rear-wheel driven power wheelchair built for rugged outdoor use, but flexible and easy to maneuver indoors.

The ability to clear obstacles facilitates accessibility. The unique seat lift lets users reach high while also allowing them to slide their legs under the table. In essence, the functions are optimized for maximum accessibility and comfort, whatever the surroundings.

The Balder Liberty is composed of a modular system that can be perfectly adapted to your needs.



Just as the Finesse and the Junior, the Balder Liberty allows you to slide your legs under the table.



Balder Liberty combines rear-wheel drive with unique adjustments.

- Seat height adjustment range: 35–79 cm / 13.7–31"
- Rear-wheel drive with excellent handling
- Flexible solutions
- Lift and tilt functions with variable settings
- Adapted for car use
- Adjustable with several seat and back cushions

Options and accessories

Balder power wheelchairs have a wide range of options and accessories. This means that these wheelchairs can be adapted to the many needs and preferences of an individual without the need for any complicated conversions or alterations.

Options

Wheels

Wheels, puncture-proof

F/J, set of 3–8' HP4626

F/J, set of 2.50–3' HP000087

Wheels, pneumatic

F/J, set of 3–8' HP4627

F/J, set of 2.50–3' HP000631

Seat unit

Tilt, electric –15° to +45°

F/L/J HP20071014

Tilt, manual –15° to +45°

F/L/J HP20071015

Standing function option set.

F/J HP20071016

Back, electric

F/L HP20071009

Back, manual

F/L HP20071010

Attendant control

Control unit for attendant control ACU1

F/L/J HP20071069

Control unit for attendant control ACU3 with DX-ARCS

F/L/J HP20071070

Attendant control with wrist-support, control box not included

F/L/J HP20071065

Attendant control 2, not including control box

F/L/J HP20071067

Attendant control with emergency switch, control box not included

F/L/J HP20071066

Hand control, separate, including all functions

F/L/J HP20071068

Special steering

Sip/puff control, basic package

F/L/J HP20071062

Chin control, basic package

F/L/J HP20071063

Head control, 3-way switch, base unit

F/L/J HP20071064

Hard plate seat

Hard plate seat, adjustable

W: 38-42 cm / 15-16.5", D: 38-45 cm / 15-17.7", H: 1.5 cm / 0.5"

F/L HP20071304

Hard plate seat, adjustable

W: 42-45 cm / 16.5-17.7", D: 45-52 cm / 15-20.5", H: 1.5 cm / 0.5"

F/L HP20071305

Headrest

Headrest fastener

F/L/J HP20071146

Headrest pad

F/L, big HP20071147

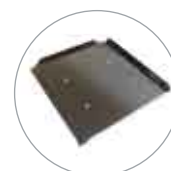
F/L, small HP20071148

J, red HP20071149

J, blue HP20071150

J, green HP20071151

Customized adaptations can be made. See orderforms.



Options, contd.

Comfort back

(See page 19 for dimensions of the back pads.)

Back anti shear function

F/L/J HP20071194

Back chassis

F/L, Comfort 1 HP20071195
 F/L, Comfort 2 HP20071196
 F/L, Comfort 3 HP20071197
 F/L, Comfort 4 HP20071198
 F/L, Comfort 5 HP20071199
 F/L, Comfort 6 HP20071200
 J HP20071227
 J, stand-up HP20071225



Back pad

F/L, Comfort 1 HP20071201
 F/L, Comfort 2 HP20071202
 F/L, Comfort 3 HP20071203
 F/L, Comfort 4 HP20071204
 F/L, Comfort 5 HP20071205
 F/L, Comfort 6 HP20071206
 J, 30 x 40 cm/12 x 16"
 Red HP20071235
 Blue HP20071236
 Green HP20071237
 J, 35 x 42 cm/14 x 16.5"
 Red HP20071238
 Blue HP20071239
 Green HP20071240
 J, stand-up, red HP20071229
 J, stand-up, blue HP20071230
 J, stand-up, green HP20071231



Back pad with big side members

F/L, Comfort 1 HP20071207
 F/L, Comfort 2 HP20071208
 F/L, Comfort 3 HP20071209
 F/L, Comfort 4 HP20071210
 F/L, Comfort 5 HP20071211
 F/L, Comfort 6 HP20071212



Back pad with air lumbar support

F/L, Comfort 1 HP20071213
 F/L, Comfort 2 HP20071214
 F/L, Comfort 3 HP20071215
 F/L, Comfort 4 HP20071216
 F/L, Comfort 5 HP20071217
 F/L, Comfort 6 HP20071218

Back pad with air lumbar support and big side members

F/L, Comfort 1 HP20071219
 F/L, Comfort 2 HP20071220
 F/L, Comfort 3 HP20071221
 F/L, Comfort 4 HP20071222
 F/L, Comfort 5 HP20071223
 F/L, Comfort 6 HP20071224

Customized adaptations can be made. See orderforms.

Comfort seat

(See page 19 for dimensions of the seat pads.)

Seat chassis

F/L, Comfort 1 HP20071152
 F/L, Comfort 2 HP20071153
 F/L, Comfort 3 HP20071154
 F/L, Comfort 4 HP20071155
 F/L, Comfort 5 HP20071156
 F/L, Comfort 6 HP20071157
 J HP20071228
 J, stand-up HP20071226



Seat pad

F/L, Comfort 1 HP20071158
 F/L, Comfort 2 HP20071159
 F/L, Comfort 3 HP20071160
 F/L, Comfort 4 HP20071161
 F/L, Comfort 5 HP20071162
 F/L, Comfort 6 HP20071163
 J, 30 x 40 cm/12 x 16"
 Red HP20071241
 Blue HP20071242
 Green HP20071243
 J, 35 x 42 cm/14 x 16.5"
 Red HP20071244
 Blue HP20071245
 Green HP20071246
 J, stand-up, red HP20071232
 J, stand-up, blue HP20071233
 J, stand-up, green HP20071234



Seat pad with big side members

F/L, Comfort 1 HP20071164
 F/L, Comfort 2 HP20071165
 F/L, Comfort 3 HP20071166
 F/L, Comfort 4 HP20071167
 F/L, Comfort 5 HP20071168
 F/L, Comfort 6 HP20071169



Options, contd.

Comfort seat, contd.

Seat pad with pressure relief

F/L, Comfort 1	HP20071170
F/L, Comfort 2	HP20071171
F/L, Comfort 3	HP20071172
F/L, Comfort 4	HP20071173
F/L, Comfort 5	HP20071174
F/L, Comfort 6	HP20071175



Seat pad with pressure relief and big side members

F/L, Comfort 1	HP20071176
F/L, Comfort 2	HP20071177
F/L, Comfort 3	HP20071178
F/L, Comfort 4	HP20071179
F/L, Comfort 5	HP20071180
F/L, Comfort 6	HP20071181



Customized adaptations can be made. See orderforms.

Incontinence cover

Incontinence cover

F/L, Comfort 1	HP20071182
F/L, Comfort 2	HP20071183
F/L, Comfort 3	HP20071184
F/L, Comfort 4	HP20071185
F/L, Comfort 5	HP20071186
F/L, Comfort 6	HP20071187
J, stand-up, red	HP20071153
J, stand-up, blue	HP20071154
J, stand-up, green	HP20071155
J, 30 x 35 cm/12 x 14"	
Red	HP20071247
Blue	HP20071248
Green	HP20071249
J, 35 x 40 cm/14 x 16"	
Red	HP20071250
Blue	HP20071251
Green	HP20071252

Incontinence cover, pad with big side members

F/L, Comfort 1	HP20071188
F/L, Comfort 2	HP20071189
F/L, Comfort 3	HP20071190
F/L, Comfort 4	HP20071191
F/L, Comfort 5	HP20071192
F/L, Comfort 6	HP20071193

Armrest

Armrest fastener, flip-up, height-adjustable, set

F/L, Comfort 1-2	HP20071040
F/L, Comfort 3-4	HP20071041
F/L, Comfort 5-6	HP20071042
J	HP20071045
J, stand-up	HP20071044



Armrest fastener, flip-up, set

F/L, Comfort 1-2	HP20071037
F/L, Comfort 3-4	HP20071038
F/L, Comfort 5-6	HP20071039
J, stand-up	HP20071043



Armrest pad, set

F/L/J, Comfort 1-2	HP10085
F/L/J, Comfort 3-4	HP1079
F/L/J, Comfort 5-6	HP10086



Customized adaptations can be made. See orderforms.

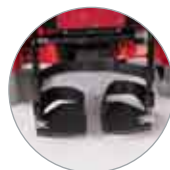
Footrest

Base unit, manual

F/L	HP20071048
J	HP20071049

Legrest, manual

F/L, Comfort 1-3, right	HP20071308
F/L, Comfort 1-3, left	HP20071309
F/L, Comfort 4-6, right	HP20071310
F/L, Comfort 4-6, left	HP20071311
J, right	HP20071312
J, left	HP20071313
F/L, Single, Comfort 1-3	HP20071330
F/L, Single, Comfort 4-6	HP20071331
J, Single	HP20071330



Base unit with aut. length compensation

F/L	HP20071050
-----	------------

Base unit with electric length compensation, split footplate

F/L, Bar 100 mm/4"	HP20071051
F/L, Bar 150 mm/6"	HP20071052
F/L, Bar 200 mm/7.8"	HP20071053
J, Bar 100 mm/4"	HP20071051



Foot plate, divided

F/L/J, 16 cm/8.2", right	HP20071056
F/L/J, 16 cm/8.2", left	HP20071057
F/L/J, 22 cm/8.8", right	HP20071054
F/L/J, 22 cm/8.8", left	HP20071055



Foot plate, single

F/L	HP20071058
J	HP20071059



Calf pad

F/L/J, 12x16 cm/5x6"	HP20071061
F/L/J, 12x22 cm/5x9"	HP20071060

Toe strap

F/L/J	HP20071329
-------	------------

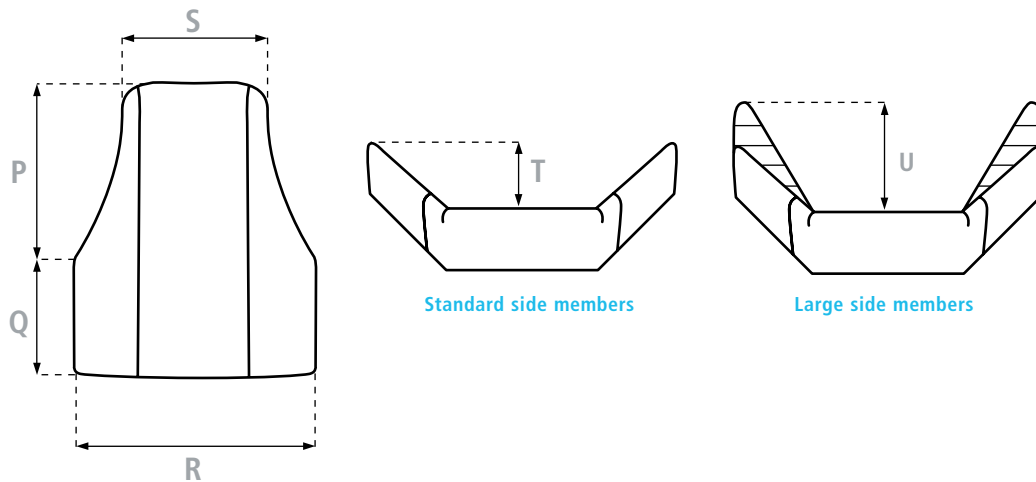
Wheels, legrest, electric

F/L/J	HP20071315
-------	------------

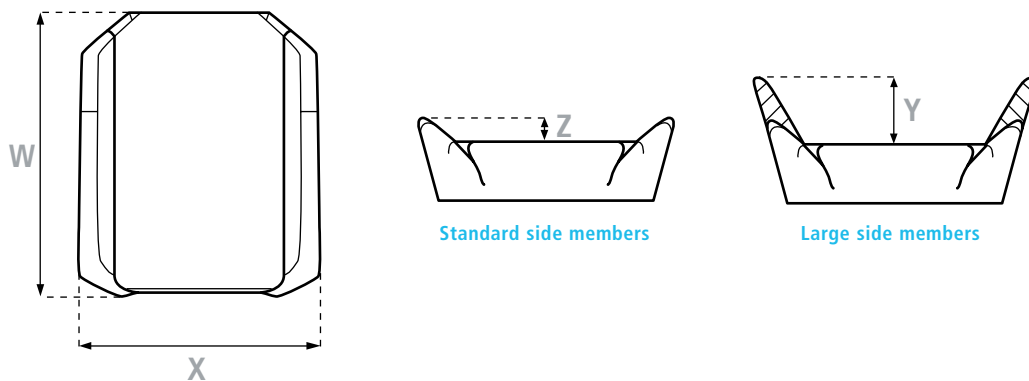
Customized adaptations can be made. See orderforms.

Dimensions: Comfort back and seat pad

Comfort back	Comfort 1	Comfort 2	Comfort 3	Comfort 4	Comfort 5	Comfort 6
Back pad	HP20071201	HP20071202	HP20071203	HP20071204	HP20071205	HP20071206
Back pad with big side members	HP20071207	HP20071208	HP20071209	HP20071210	HP20071211	HP20071212
Back pad with air lumbar support	HP20071213	HP20071214	HP20071215	HP20071216	HP20071217	HP20071218
P	280 mm/11"	290 mm/11.4"	305 mm/12"	330 mm/13"	350 mm/13.8"	370 mm/14.6"
Q	160 mm/6.3"	170 mm/6.7"	185 mm/7.3"	210 mm/8.3"	230 mm/9.1"	250 mm/9.8"
R	400 mm/15.7"	400 mm/15.7"	420 mm/16.5"	440 mm/17.3"	460 mm/18.1"	480 mm/18.9"
S	270 mm/10.6"	270 mm/10.6"	290 mm/11.4"	310 mm/12.2"	330 mm/13.0"	350 mm/13.8"
T	50 mm/2.0"	50 mm/2.0"	50 mm/2.0"	50 mm/2.0"	50 mm/2.0"	50 mm/2.0"
U	110 mm/4.3"	110 mm/4.3"	110 mm/4.3"	110 mm/4.3"	110 mm/4.3"	110 mm/4.3"
Total height P+Q	440 mm/17.3"	460 mm/18.1"	490 mm/19.3"	540 mm/21.3"	580 mm/22.8"	620 mm/24.4"



Comfort seat	Comfort 1	Comfort 2	Comfort 3	Comfort 4	Comfort 5	Comfort 6
Seat pad	HP20071158	HP20071159	HP20071160	HP20071161	HP20071162	HP20071163
Seat pad w big side members	HP20071164	HP20071165	HP20071166	HP20071167	HP20071168	HP20071169
Seat pad w pressure relief	HP20071170	HP20071171	HP20071172	HP20071173	HP20071174	HP20071175
Seat pad w pressure relief and big side members	HP20071176	HP20071177	HP20071178	HP20071179	HP20071180	HP20071181
Effective seat depth	400 mm/15.7"	425 mm/16.7"	450 mm/17.7"	475 mm/18.7"	500 mm/19.7"	525 mm/20.7"
W	425 mm/16.7"	450 mm/17.7"	475 mm/18.7"	500 mm/19.7"	525 mm/20.7"	540 mm/21.3"
X	400 mm/15.7"	400 mm/15.7"	420 mm/16.5"	440 mm/17.3"	460 mm/18.1"	480 mm/18.9"
Z	20 mm/0.8"	20 mm/0.8"	20 mm/0.8"	20 mm/0.8"	20 mm/0.8"	20 mm/0.8"
Y	70 mm/2.8"	70 mm/2.8"	70 mm/2.8"	70 mm/2.8"	70 mm/2.8"	70 mm/2.8"



Accessories

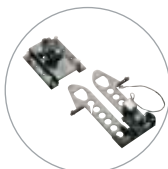
Clamp down unit

Wheelchair unit for EZ-Lock
F/L/J HP20071079



Wheelchair unit incl panel
F/J HP20071075
L HP20071077

Spigot unit
F/J HP20071076
L HP20071078



Undercarriage for car seat
F/L/J HP20071080



Seat stabilizer unit
F HP20071141

Light

Lights front/rear
F/L/J HP20071094

Lights w indicators front/rear
F/L/J HP20071095

Lights w ACU3 joystick
F/L/J HP20071096



Table

Table, swing-aside, right
F/L, Comfort 1–2 HP20071083
F/L, Comfort 3–4 HP20071085
F/L, Comfort 5–6 HP20071087
J HP20071089



Table, swing-aside, left
F/L, Comfort 1–2 HP20071084
F/L, Comfort 3–4 HP20071086
F/L, Comfort 5–6 HP20071088
J HP20071090



Table, swing-aside, small
F/L/J, right HP20071081
F/L/J, left HP20071082



Crutch fitting

For attachment under armrest
F/L/J HP20071091

For attachment under armrest, set of 2

F/L/J HP20071092

With strap for attachment under armrest, set of 2

F/L/J HP20071093



Basket and bags

Fixing bar backpack or bag
F/L HP20071098
J HP20071099

Armrestbag with velcro
F/L/J HP20071109

Armrestbag with zipper
F/L/J HP20071110

Backpack 40x40x8 cm/16x16x3"
F/L HP20071111

Backpack with Balder logo, black
F/L HP20071112
J HP20071113

Basket removable for back
F/L HP20071097

Belts and brackets

Belt, shoulder strap for 4-point harness
F/L/J HP20071105

Belt, chest harness
F/L HP20071106
J HP20071107

Hip safety belt with reel
F/L HP20071101
J HP20071102

Hip safety belt with auto lock
F/L/J HP20071104

Support pads

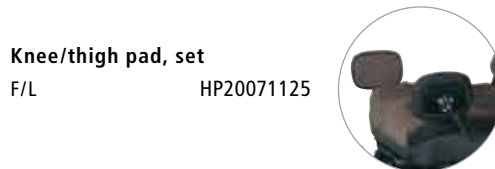
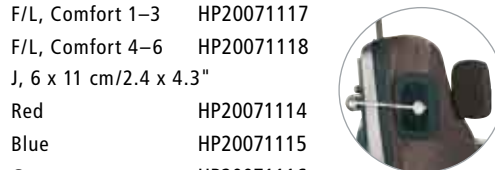
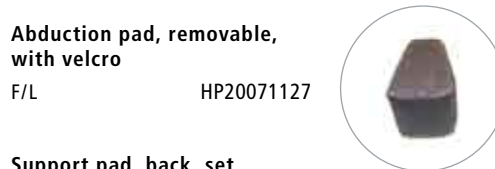
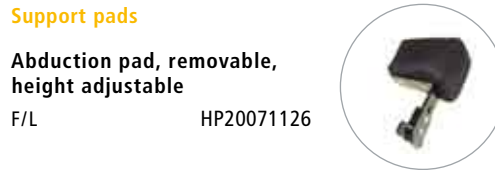
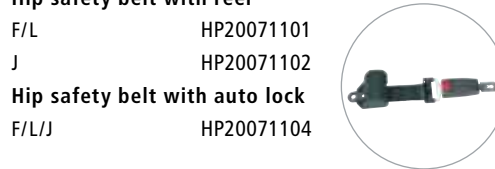
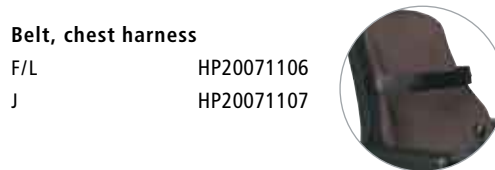
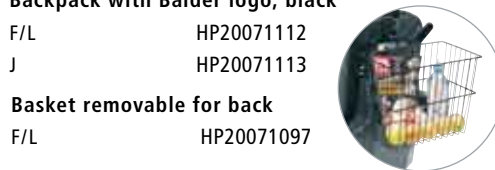
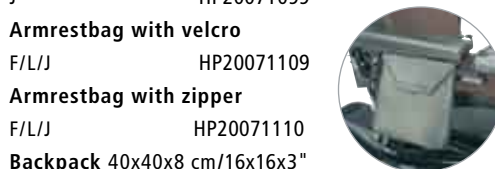
Abduction pad, removable, height adjustable
F/L HP20071126

Abduction pad, removable, with velcro
F/L HP20071127

Support pad, back, set
F/L, Comfort 1–3 HP20071117
F/L, Comfort 4–6 HP20071118

J, 6 x 11 cm/2.4 x 4.3"
Red HP20071114
Blue HP20071115
Green HP20071116

Knee/thigh pad, set
F/L HP20071125



Accessories, contd.

Support pads, contd.

Knee/thigh pad, set

6 x 11 cm/2.4 x 4.3"

J, red HP20071119

J, blue HP20071120

J, green HP20071121

6 x 20 cm/2.4 x 7.9"

J, red HP20071122

J, blue HP20071123

J, green HP20071124



Various accessories

Main circuit switch

F/J HP20071134

L HP20071135

Emergency stop switch

F/L/J HP20071136

Various accessories, contd.

Hour counter

F/L/J HP20071142

Anti crush guard

F/J HP20071139

L HP20071140

Platform for breathing device

F/L/J HP20071143

Mirror, foldable for attachment on armrest

F/L/J, right HP20071137

F/L/J, left HP20071138



Wheelchair cover

F/L/J HP20071328



Technical facts

	Balder Finesse	Balder Junior	Balder Liberty
Seat width	400–480 mm/15.7–18.9"	300–350 mm/11.8–13.8"	400–480 mm/15.7–18.9"
Seat depth	400–525 mm/15.7–20.7"	350–400 mm/13.8–15.7"	400–525 mm/15.7–20.7"
Lowest seat height	340 mm/13.5"	340 mm/13.5"	350 mm/13.7"
Highest seat height	780 mm/30.7"	780 mm/30.7"	790 mm/31"
Maximum seat angle forward	15°	15°	15°
Maximum seat angle back	45° (standup func. 15°)	45° (standup func. 15°)	45°
Back adjustment	0°–90°	0°–90°	0°–90°
Leg support angle	85°–180°	85°–180°	85°–180°
Total width	640 mm/25.2"	640 mm/25.2"	650 mm/25.6"
Length including folded foot plates	883 mm/34.8"	883 mm/34.8"	900 mm/35.4"
Wheelbase	615 mm/20.5"	615 mm/20.5"	520 mm/20.5"
Height under chassis	70 mm/2.7"	70 mm/2.7"	85 mm/3.3"
Maximum driving distance	50 km/30 mi	50 km/30 mi	50 km/30 mi
Maximum speed	7 km/h/4.3 mph	7 km/h/4.3 mph	8 km/h/5.0 mph
Maximum obstacle clearance	80 mm/3.1"	80 mm/3.1"	100 mm/3.93"
Turning area	1300 mm/51.2"	1300 mm/51.2"	1300 mm/51.2"
Front wheel dimensions	3.00–8'	3.00–8'	2.80–2.50–4'
Rear wheel dimension	2.50–3'	2.50–3'	3.50–8'
Battery	2 x12V 52 Ah	2 x12V 52 Ah	2 x12V 52 Ah
Weight incl batteries	approx. 130 kg/290 lbs	approx. 120 kg/290 lbs	approx. 130 kg/ 280 lbs
Weight incl batteries, standup func.	approx. 140 kg/309 lbs	approx. 140 kg/309 lbs	–
Maximum user weight	120 kg/267 lbs	75 kg/165 lbs	120 kg/267 lbs
Maximum user weight, standup func.	100 kg/220 lbs	75 kg/165 lbs	–

A Balder Chronology

Balder power wheelchairs are manufactured by Hand-Pro AS in Norway. Since 1981, the company has become the market leader in its homeland in both car adaptation and the development and production of power wheelchairs.

- 1981 Handpro starts adapting cars for people with disabilities.
- 1989 During work with adapting cars, the company notices a need for a low power wheelchair. This would have to be easy to place in a car, and also function as a driver's seat. This led to the development of a rear-wheel driven power wheelchair with a seat lift, which revolutionized the market.
- 1998 The Balder Finesse is introduced. A front-wheel driven power wheelchair with a unique seat lift and tilt.
- 2001 The Balder Liberty is introduced. A power wheelchair with the same functions as the Balder Finesse, but adapted for an active life outdoors.
- 2003 The Balder Junior is introduced. It has the same flexible solutions as the Balder Finesse power wheelchairs, but with unique functions for children.
- 2003 The Balder Finesse with standing function option is introduced to the market.
- 2004 Hand-Pro becomes a part of the Etac group.
- 2005 The Balder Junior with standup function is introduced.

Around 1000 power wheelchairs per year are currently manufactured in Hønefoss, outside of Oslo.

Comments about Balder power wheelchairs

"Now I can reach the books on all the shelves in my school library."

Lise, 9 years old

"The Balder Finesse lets me slide under 95% of all dinner tables – wonderful!"

Marte, 25 years old

"Balder car brackets on both sides of our car allow my husband and me to take turns driving on long trips."

Maria, 56 years old



Combined experience from three decades

Etac is a Swedish company with more than 30 years of experience and knowledge from the home health care business. We develop a wide range of products and market them globally, either through fully owned subsidiaries of carefully selected distributing partners. Over the years our work has made a big difference to those requiring our range of products.



Products from

etac[®]

Scan Medical

P.O. Box 33310

North Royalton, Ohio 44133

Toll Free Number: 1-866-652-2806